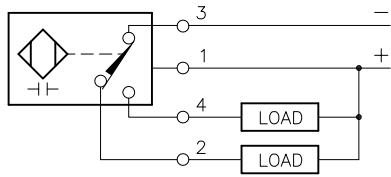
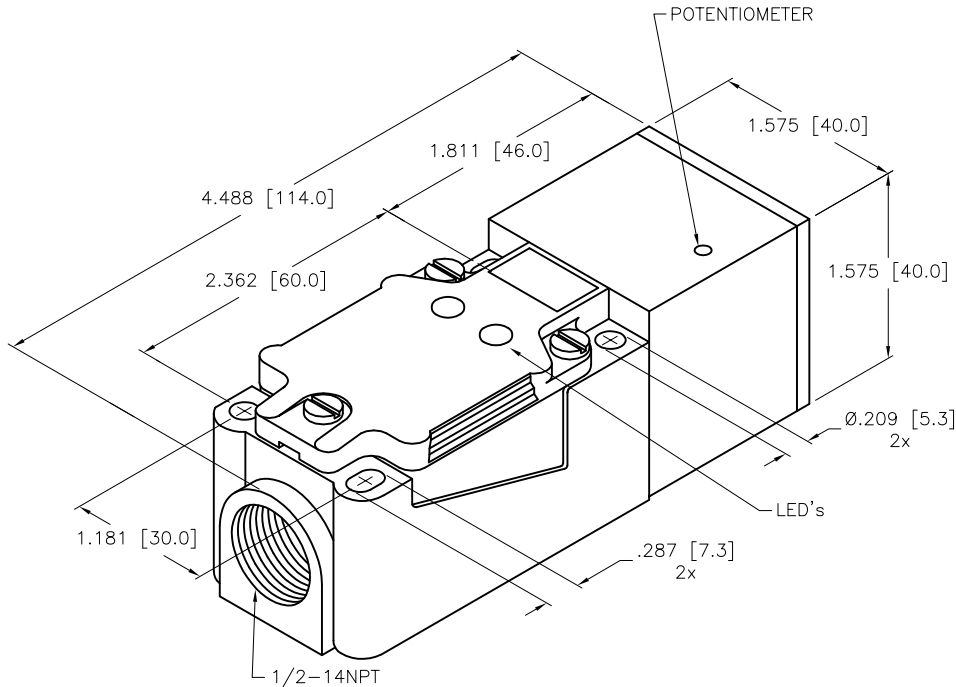


WIRING DIAGRAMS




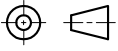
OUTPUT: VN4X2

SHORT-CIRCUIT AND OVERLOAD PROTECTED



SPECIFICATIONS

RATED OPERATING DISTANCE	20 mm = .787"
TEMPERATURE DRIFT	≤ ±20%
HYSTERESIS	2-20%
MIN. REPEAT ACCURACY	≤ 2%
OPERATING TEMPERATURE	-25°C to +70°C (-13°F to +158°F)
RATED OPERATIONAL VOLTAGE (AC/DC)	10-65 VDC
RESIDUAL RIPPLE	≤ 200 mA
DC RATED OPERATIONAL CURRENT	≤ 10%
NO LOAD CURRENT	≤ 15 mA
RESIDUAL CURRENT	≤ 0.1 mA
SWITCHING FREQUENCY	≤ 0.1 kHz
RATED INSULATION VOLTAGE	≤ 0.5 kV
OUTPUT FUNCTION	4-WIRE, COMPLEMENTARY CONTACT, NPN
SHORT-CIRCUIT PROTECTION	YES/CYCLIC
VOLTAGE DROP	≤ 1.8 V
WIRE BREAKAGE PROTECTION	INCORPORATED
REVERSE POLARITY PROTECTION	INCORPORATED
HOUSING MATERIAL	PLASTIC, PBT-GF30-V0
ACTIVE FACE	PLASTIC, PA6-GF30-V0
ELECTRICAL CONNECTION	TERMINAL CHAMBER
VIBRATION RESISTANCE	<55 Hz, <1 mm AMPLITUDE (IN ALL 3 PLANES)
SHOCK RESISTANCE	<30 g, <11 ms
DEGREE OF PROTECTION	IP67
SWITCHING STATUS INDICATION	LED: RED
OPERATING VOLTAGE DISPLAY	LED: GREEN

RELATED DOCUMENTS		3RD ANGLE PROJECTION		THIS DRAWING IS CONFIDENTIAL AND THE PROPERTY OF TURCK INC. USE OF THIS DOCUMENT WITHOUT WRITTEN PERMISSION IS PROHIBITED.		 3000 CAMPUS DRIVE MINNEAPOLIS, MN 55441 1-800-544-7769 (763) 553-7300 (763) 553-0708 fax www.turck.us	
1. 2. 3. 4.				DRFT SMW DATE 9/30/87 APVD SCALE 1=1.3		DESCRIPTION BC20-CP40-VN4X2/S10	
MATERIAL SEE SPECS		ALL DIMENSIONS DISPLAYED ON THIS DRAWING ARE FOR REFERENCE ONLY		UNIT OF MEASUREMENT INCH [MILLIMETER]		IDENTIFICATION NO. 25157	
FINISH		CONTACT TURCK FOR MORE INFORMATION		DO NOT SCALE THIS DRAWING		REV D	
D	UPDATE ID NUMBER PER HARMONIZATION PROJECT	CBM	12/21/17	FILE: 25157			
REV	DESCRIPTION	BY	DATE	ECO NO.	SHEET 1 OF 1		